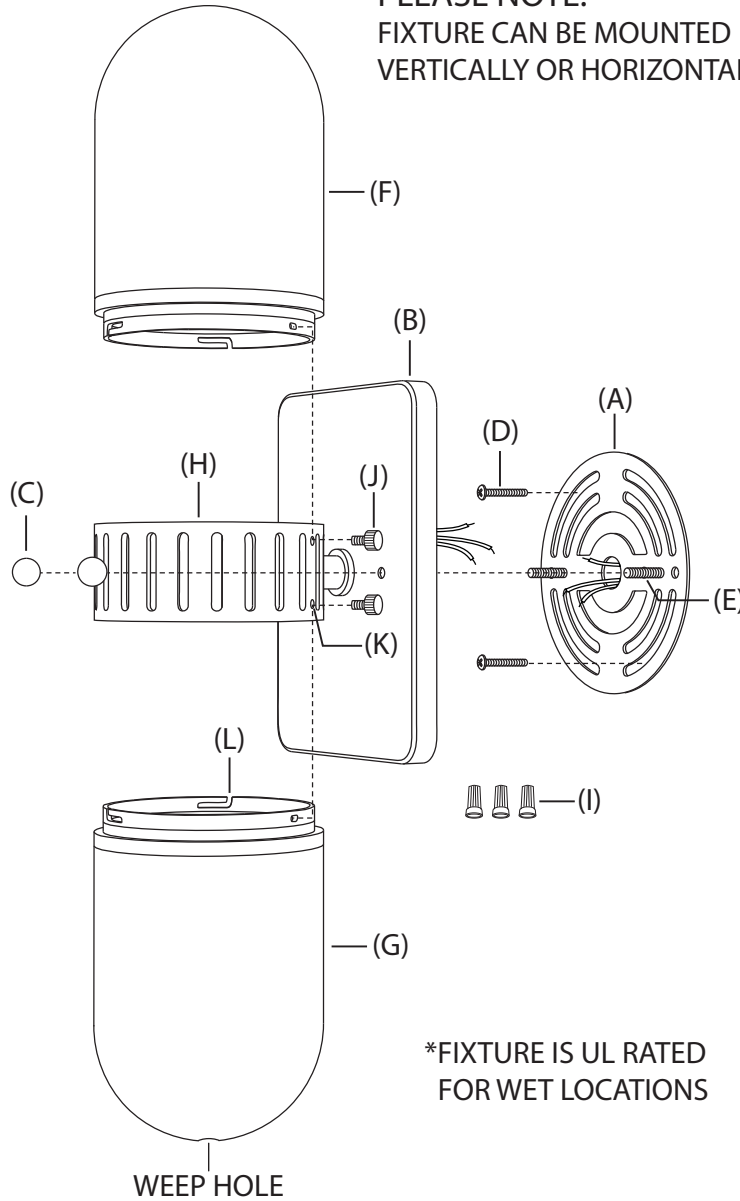


ASSEMBLY INSTRUCTIONS FOR YOUR

Jonathan Adler RIO WALL SCONCE

PLEASE NOTE:
FIXTURE CAN BE MOUNTED
VERTICALLY OR HORIZONTALLY



*FIXTURE IS UL RATED
FOR WET LOCATIONS

IMPORTANT SAFETY INSTRUCTIONS:

- * These instructions are provided for your safety. It is very important that they are read completely before beginning the installation of your fixture.
- * If any special control devices are used with this fixture, follow the instructions carefully to assure compliance with N.E.C. requirements. If there are questions, contact a qualified electrical contractor.
- * **WE STRONGLY RECOMMEND INSTALLATION BY A LICENSED ELECTRICIAN.**

ASSEMBLY INSTRUCTIONS:

1. SHUT OFF THE MAIN ELECTRICAL SUPPLY FROM THE MAIN FUSE BOX/ CIRCUIT BREAKER.
2. Remove all parts from carton and discard packing materials. Place the parts on a level surface.
3. Remove mounting plate (A) from back plate (B) by unthreading decorative nuts (C). Set decorative nuts (C) aside.
4. Carefully pull wires from the wall outlet box and thread them through the center hole in mounting plate (A).
5. Affix mounting plate (A) to wall outlet box with mounting screws (D) provided.
6. Lift the fixture to the mounting plate and make the proper electrical connections noted in steps 7 through 9. **A LICENSED ELECTRICIAN IS RECOMMENDED.**
7. Attach ground wire from fixture (green or copper in color) to ground wire from outlet box. Fasten wires together with wire nut (I) and tightly wrap connection with electrical tape.
8. Attach hot wire from fixture (black in color or smooth side of wire) to hot wire from outlet box. Fasten wires together with wire nut (I) and tightly wrap connection with electrical tape.
9. Attach neutral wire from fixture (white in color or ribbed side of wire) to neutral wire from outlet box. Fasten wires together with wire nut (I) and tightly wrap connection with electrical tape. Gently push wire connections back into the wall outlet box.
10. Place backplate (B) over mounting plate (A). Use decorative nuts (C) to secure the fixture to the mounting surface.
11. Install two 13W MAX. CFL, GU24 bi-pin bulbs (included) into the sockets, located inside shade frame (H).

12. Remove screws (J) from shade frame (H). Set screws (J) aside.
13. Locate bottom shade (G). NOTE: the shade that goes on the lower half of the fixture (G), will have a small hole drilled into the the bottom of the glass so any water or condensation that collects inside the shades can escape. The top shade (F) will not have a hole in the glass.
14. Place bottom shade (G) into shade frame (H). Orient the shade so channels (L) align with pins located inside shade frame (H). Rotate shade clock-wise to secure it into place.
15. Thread screw (J) back into hole (K) to lock the shade into place.
16. Repeat steps 14 and 15 for top shade (F).
17. Reconnect main electrical supply at the fuse box/ circuit breaker and test the fixture.

** To clean, use soft cloth only. Do not use any chemical or abrasive cleaners. **