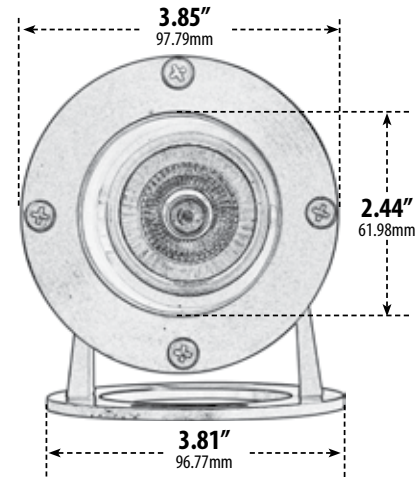
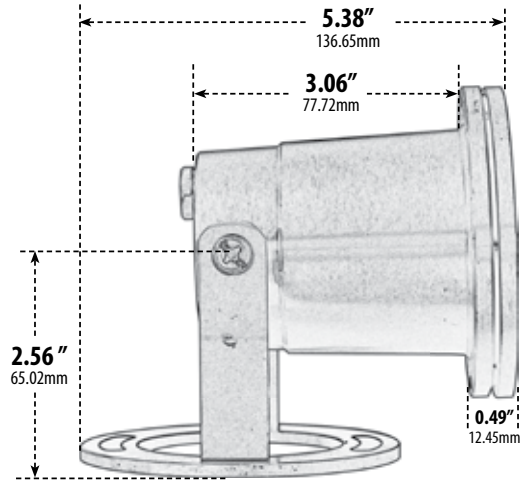


LV323-SS316

POND AND FOUNTAIN UNDERWATER LIGHT



- **Material:** Marine Grade 316 Stainless Steel
- **Lens:** Clear, Heat Resistant, Tempered Glass
- **Lamp:** MR16 Bi-Pin Base (50W Maximum)

MODEL NUMBER	LAMP TYPE	ILLUMINANT TYPE	WATTS (W)	VOLTS (V)	LAMP(S) INCLUDED?
LV323-SS316	MR16	HALOGEN	20	12	YES
LV-LED323-SS316	MR16-LED	3 LEDs	3	12	YES

- **Available Finish:** Stainless Steel
- **Pre-Wired with UL Listed 21' 16/3 Underwater Cable**
- **Adjustable Bracket**
- **Transformer:** LVT300-SUB/SS Transformer (required) Sold Separately
- **ETL Approval Pending**

Overall Dimensions:
6.50"H x 3.88"W x 6.25"D

Maximum Height: 6.75"
Minimum Height: 4.75"
Width: 3.88"
Maximum Depth: 6.75"
Minimum Depth: 3.88"

Weight: 3.60 lbs
Approximate Wire Length: 246"
Box Dimensions: 6.25"H x 4.75"W x 4.75"D
Lamp Included

DABMAR
LIGHTING

DABMAR LIGHTING INCORPORATED

2140 Eastman Ave . Oxnard, CA 93030 . 805.604.9090 . f: 805.604.9050 . www.dabmar.com