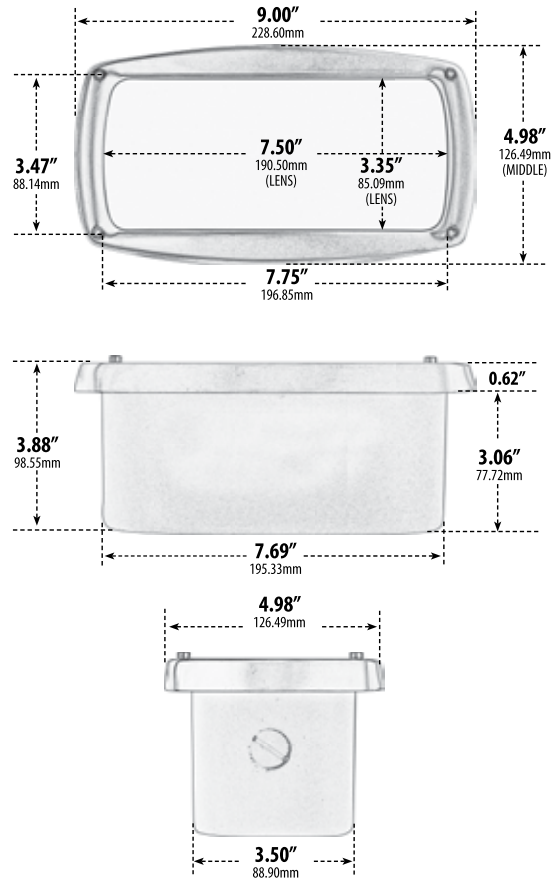


# DSL1016

## RECESSED OPEN FACE BRICK, STEP AND WALL LIGHT



- ▶ **Material:** Powder Coated Cast Aluminum
- ▶ **Lens:** White, Heat Resistant, Plastic

MODEL NUMBER	LAMP TYPE	ILLUMINANT TYPE	WATTS (W)	VOLTS (V)	LAMP(S) INCLUDED?
DSL1016	T10	INCANDESCENT	40	120	NO
DSL1065	PL5	FLUORESCENT	5	120	YES
DSL1067	PL7	FLUORESCENT	7	120	YES
DSL1069	PL9	FLUORESCENT	9	120	YES
DSL1073	PLQ13	FLUORESCENT	13	120	YES
DSL1074	S13-GU24	FLUORESCENT	13	120	YES
DSL1076	S26-GU24	FLUORESCENT	26	120	YES
DSL1087	G24-LED	60 LEDs	11	120-277	YES

- ▶ **Available Finish:** Black, Bronze, Verde Green, White, 304 Stainless Steel
- ▶ **Recessed Mount**
- ▶ **Replacement Cover Plate:** P-CVR-DSL1016 (sold separately)
- ▶ **ETL Approved**

DSL1016: 1.60 lbs Incandescent (no lamp included)  
 DSL1065: 2.20 lbs  
 DSL1067: 2.20 lbs  
 DSL1069: 2.20 lbs  
 DSL1073: 2.20 lbs  
 DSL1074: 2.20 lbs  
 DSL1076: 2.20 lbs  
 DSL1087: 2.20 lbs

Overall Dimensions:  
 5.00"H x 9.00"W x 3.90"D

Wire Length: 4.75"  
 Box Dimensions: 9.50"H x 5.57"W x 5.36"D



DABMAR LIGHTING INCORPORATED

2140 Eastman Ave . Oxnard, CA 93030 . 805.604.9090 . f: 805.604.9050 . www.dabmar.com